

CARCO INC. 313-925-9000

10333 SHOEMAKER DR. DETROIT MI. 48213

MARKING DEVICES and SPECIAL INKS

SYSTEM SHEET

DRAWN BY

SL

DATE

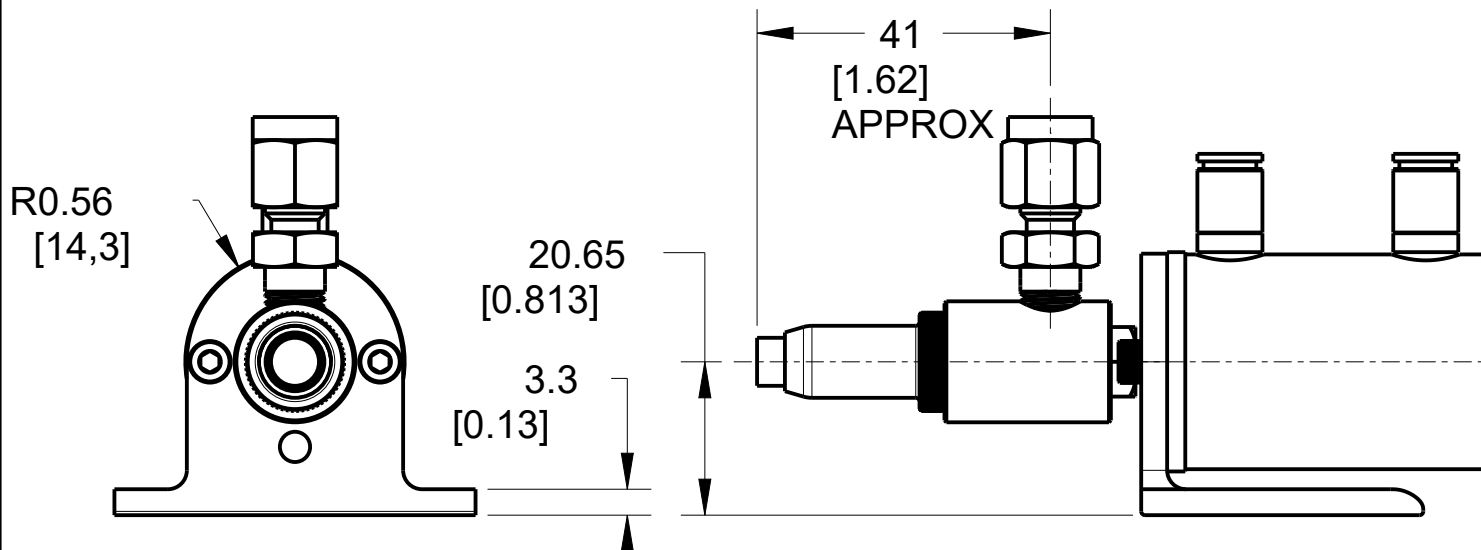
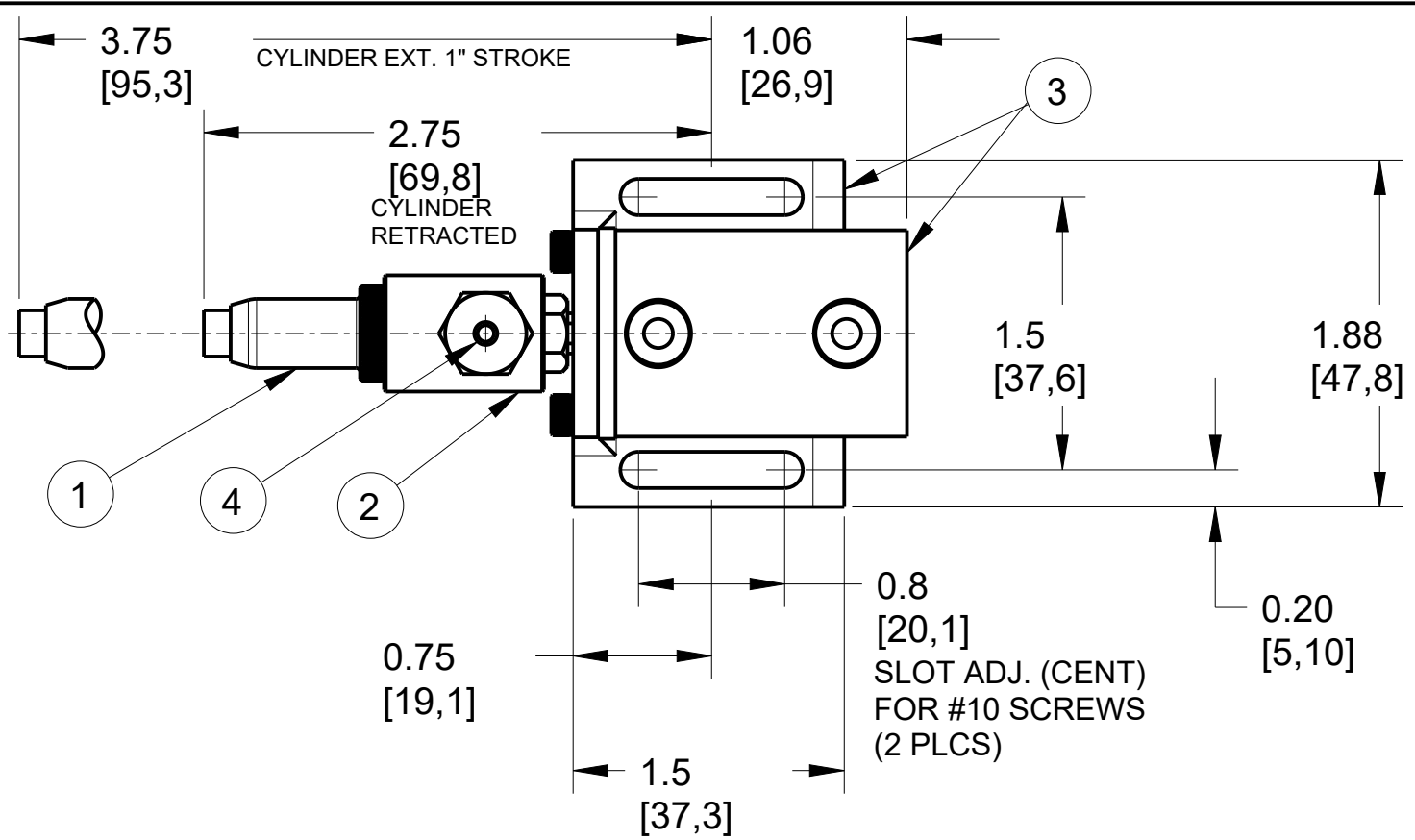
2021/09/20

CHECKED BY

SCALE

ES-1518-A

SYM	DESCRIPTION
1	ES-641-F44 FELT NIB ONLY
2	ES-1518-A NIB HOLDER
3	ES-1518 BRACKET & AIR CYLINDER (NOT SOLD SEPARATELY)
4	INK INLET FITTING



CARCO INC. 313-925-9000
 10333 SHOEMAKER DR. DETROIT MI. 48213
 MARKING DEVICES and SPECIAL INKS

MINI MARKER

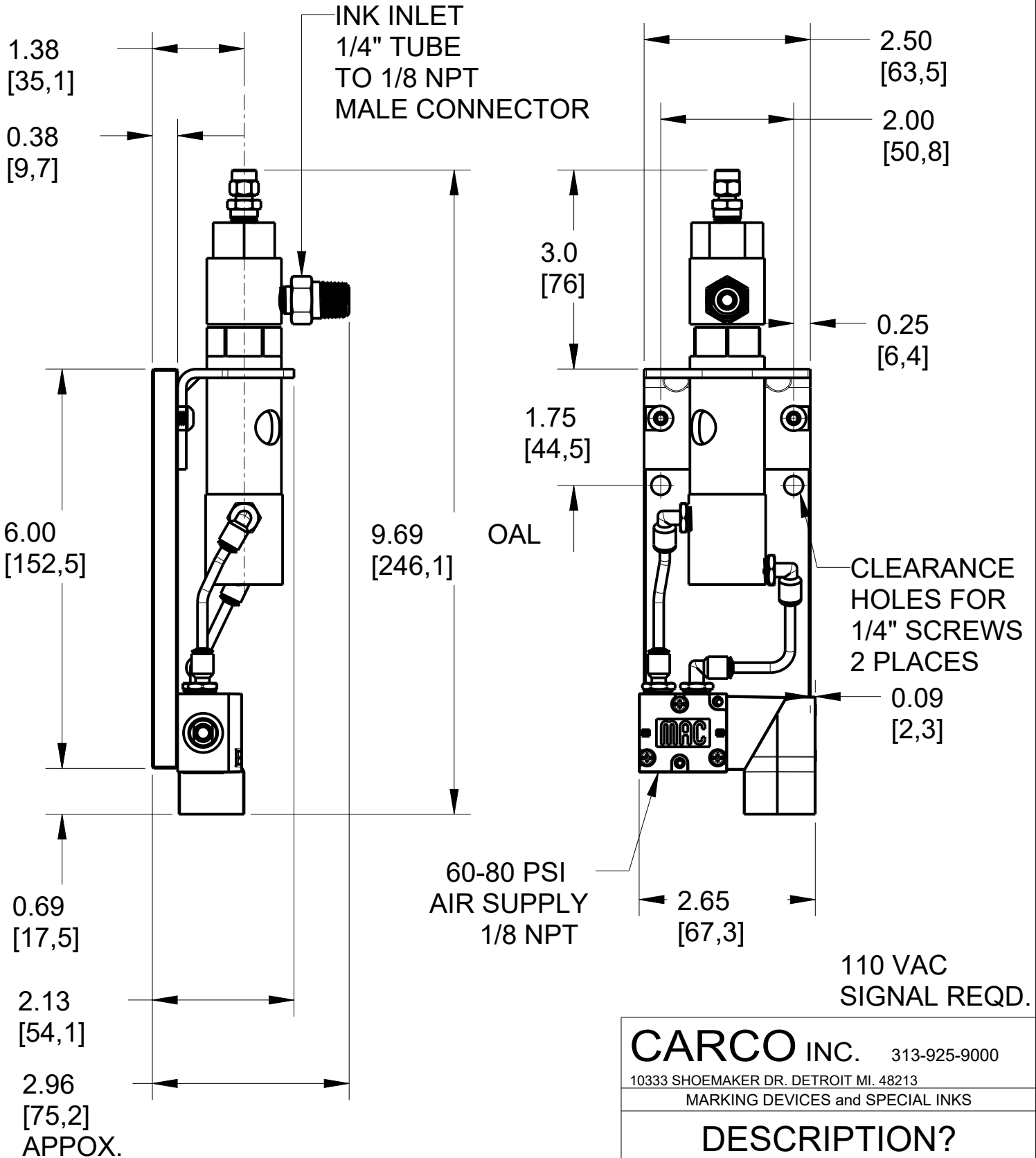
DRAWN BY LS	DATE 2021/09/20
CHECKED BY -	SCALE 1/2

ES-1752-F44

TUBE MAY BE BENT
TO DIRECT LOCATION
OF MARK

(WHEN USED AS NON-CONTACT JET-SHOT)

NOTE: 1/8" O.D. PLASTIC POLYPROPYLENE
TUBING IS SUBSTITUTED FOR THE JET-SHOT
TUBE WHEN INK PUMP IS USED WITH SPRING
MARKER



TRACING TEMPLATE

CARCO INC. 313-925-9000

10333 SHOEMAKER DR. DETROIT MI. 48213

MARKING DEVICES and SPECIAL INKS

DESCRIPTION?

DRAWN BY

L.S.

DATE

2021/07/01

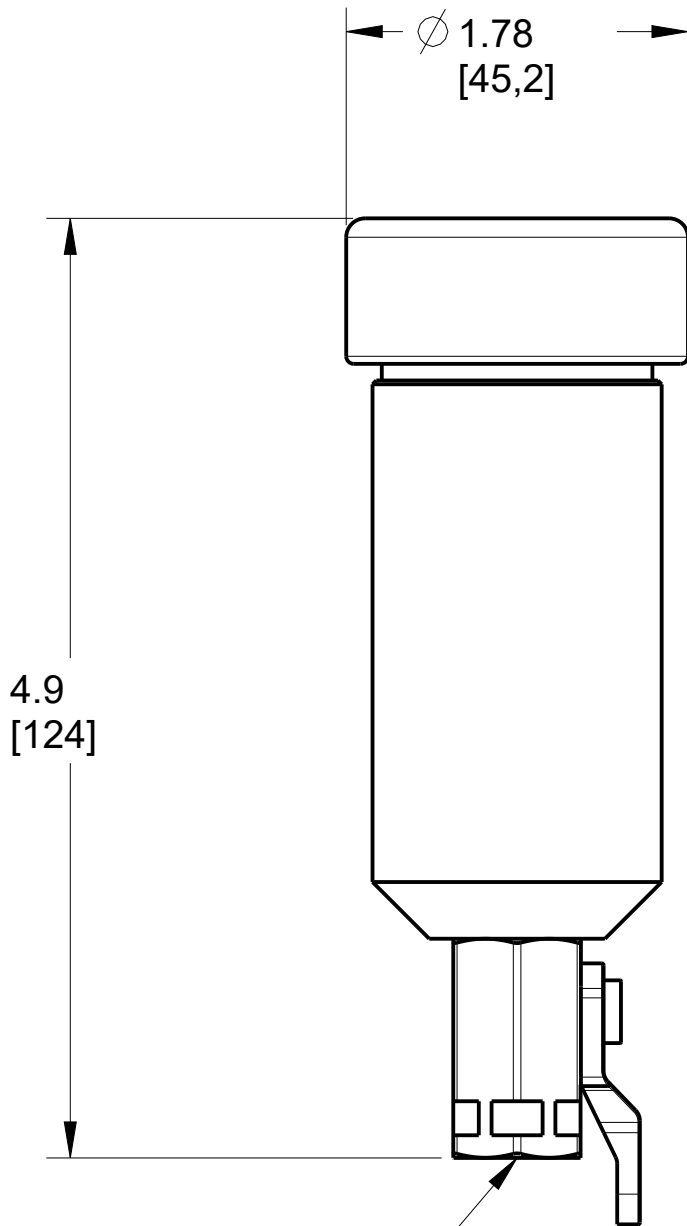
CHECKED BY

D

SCALE

1/2

ES-1157



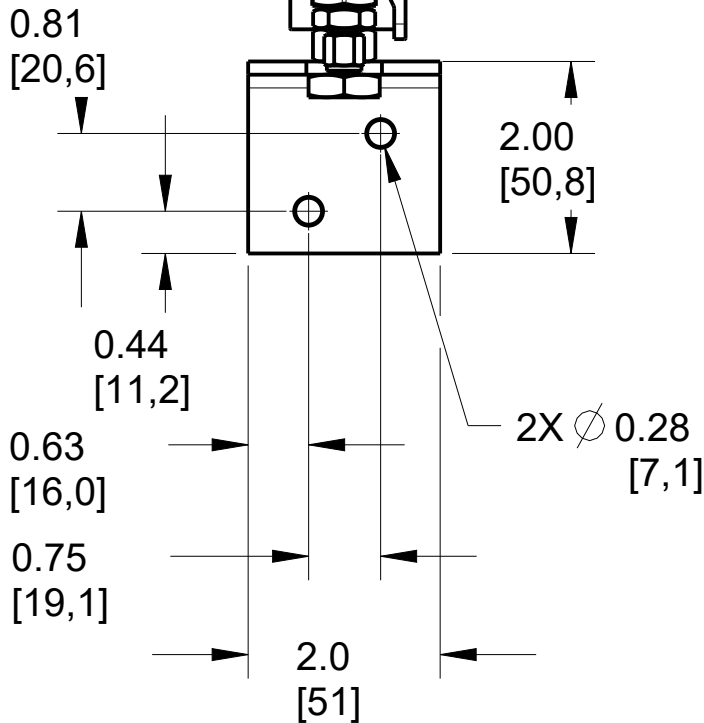
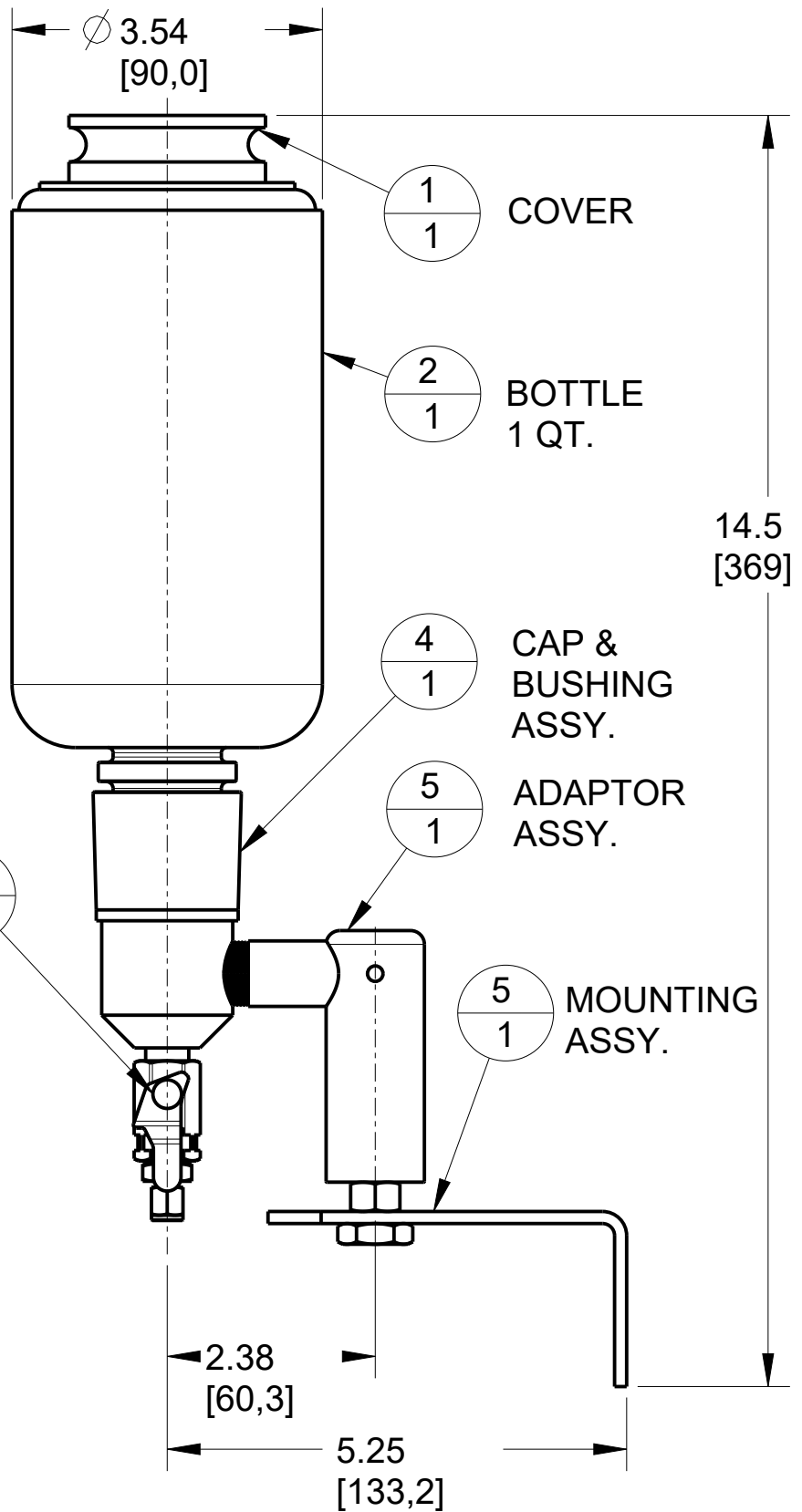
MATERIAL
 NYLON

CAPACITY
 2 oz. FLUID

1/4 NPT
 SHUTOFF VALVE

CARCO INC.		313-925-9000
10333 SHOEMAKER DR. DETROIT MI. 48213		
MARKING DEVICES and SPECIAL INKS		
2ozRESERVOIR W/SHUTOFF VALVE		
DRAWN BY	DATE	ES-374-R27
L.S.	2021/07/01	
CHECKED BY	SCALE	
D	1/1	

NOTE:
COVER RETAINING
CHAIN NOT SHOWN



CARCO INC. 313-925-9000
10333 SHOEMAKER DR. DETROIT MI. 48213
MARKING DEVICES and SPECIAL INKS

1 QT RESERVOIR

DRAWN BY L.S.	DATE 2021/07/01
CHECKED BY D	SCALE 1/2

ES-374-RQ11