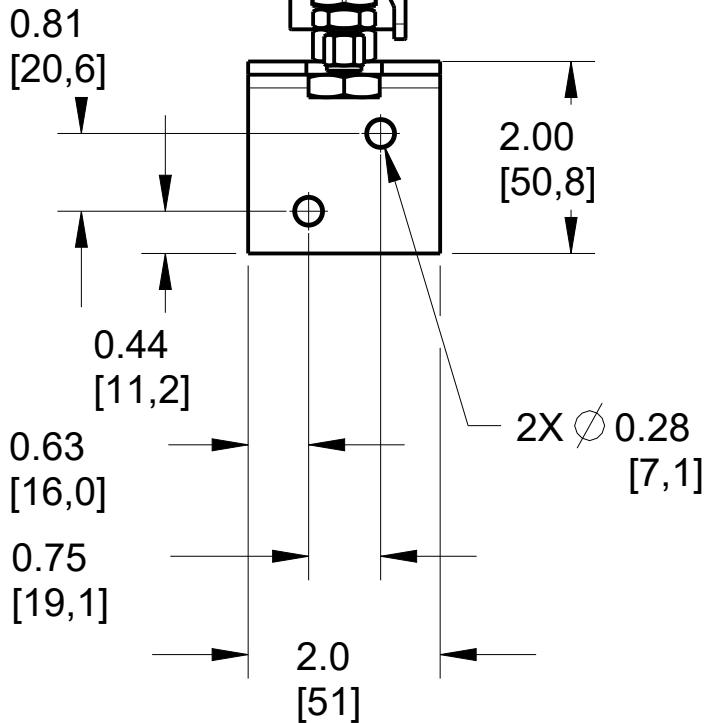
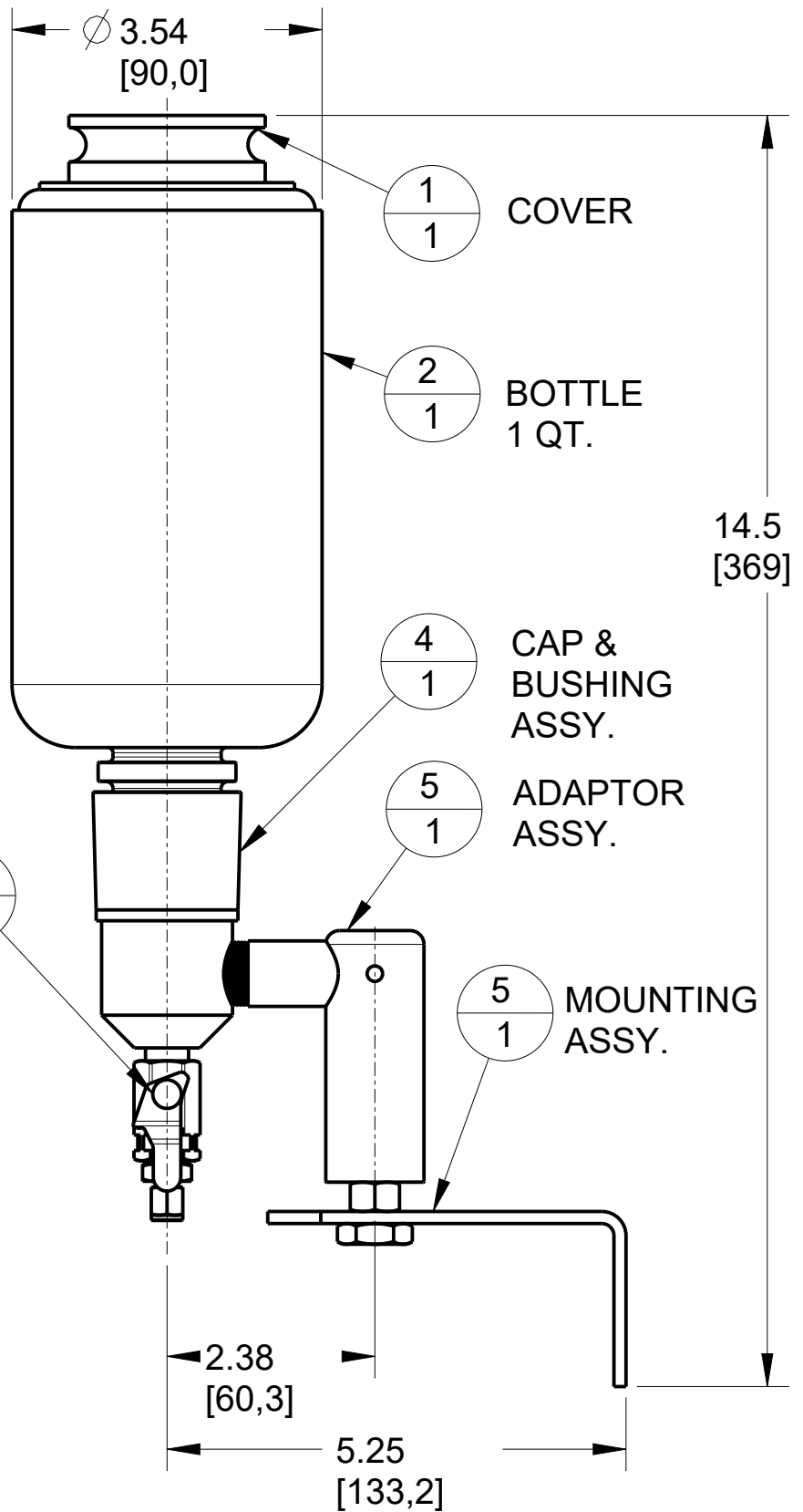


NOTE:  
COVER RETAINING  
CHAIN NOT SHOWN



**CARCO INC.** 313-925-9000  
10333 SHOEMAKER DR. DETROIT MI. 48213  
MARKING DEVICES and SPECIAL INKS

**1 QT RESERVOIR**

DRAWN BY  
L.S.  
CHECKED BY  
D

DATE  
2021/07/01  
SCALE  
1/2

**ES-374-RQ11**