

CARCO INC. 313-925-9000  
10333 SHOEMAKER DR. DETROIT MI. 48213  
MARKING DEVICES and SPECIAL INKS

SPRING MARKER

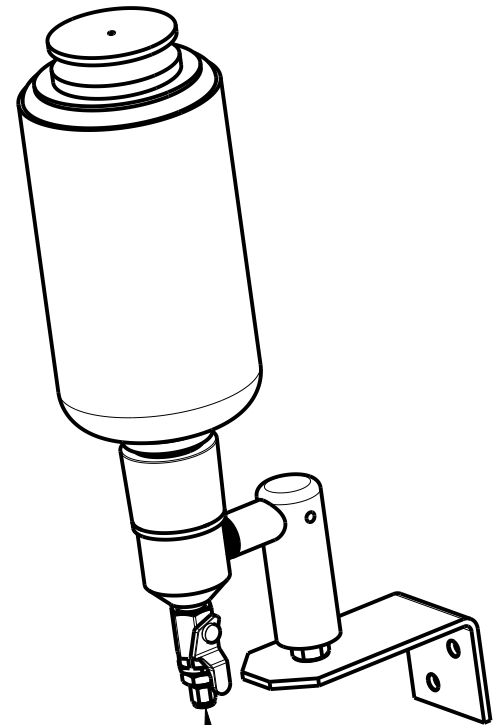
DRAWN BY L.S.	DATE 2021/07/22	ES-641
CHECKED BY	SCALE 1/2	

ES-376-VE4  
SINGLE SOLENOID  
4 WAY VALVE

OPTIONAL RESERVOIR  
ES-374-RQ11  
1 QT RESERVOIR

60 TO 80PSIG  
CONSTANT AIR  
SUPPLY  
12 VAC 60 Hz SIGNAL

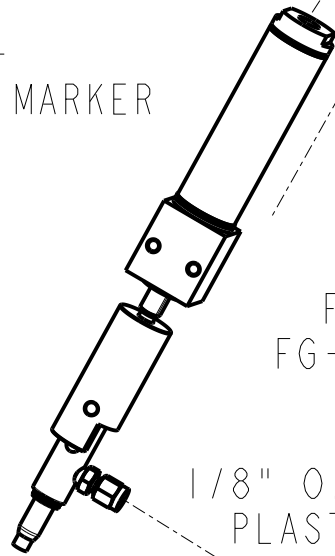
ES-641-NR NON ROTATING  
AIR CYLINDER W/FLOW  
CONTROLS  
CYLINDER IN ASSORTED  
LENGTHS



1/4" O.D.  
PLASTIC  
TUBING

ES-641-  
SPRING MARKER

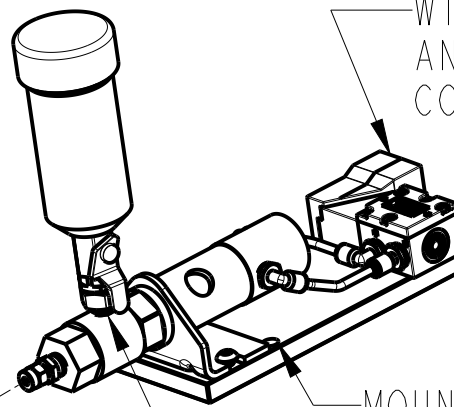
F-108 5 1.5" TIP  
F-108 1.0" TIP  
F-100 3/4" TIP  
F-88 1/2" TIP  
F-44 1/4" TIP  
FG-44 1/8" TIP



1/8" O.D.  
PLASTIC  
TUBING

WIRE TO TERMINAL 101  
AND FUSE CLIP FU2 IN  
COUNTER CONTROL BOX

60 TO 80 PSIG  
CONSTANT AIR  
SUPPLY



MOUNTING HOLES FOR 1/4"  
SCREWS 2.00" BETWEEN  
CENTERS

2" STROKE  
(5/8" OVERTRAVEL)

1/4" NPT TO 1/8" NPT  
REDUCING NIPPLE OR  
1/4" O.D. TUBE TO  
1/8" NPT MAPE CONNECTOR  
WHEN USING OPTIONAL ES-374-RQ11  
1 QT. RESERVOIR

ES-1157-C-VE-R27-JT  
INK PUMP SYSTEM

CARCO INC. 313-925-9000  
10333 SHOEMAKER DR. DETROIT MI. 48213  
MARKING DEVICES and SPECIAL INKS

SYSTEM SHEET

DRAWN BY L.S.	DATE 2021/07/22
CHECKED BY	SCALE N/A

ES-612-A