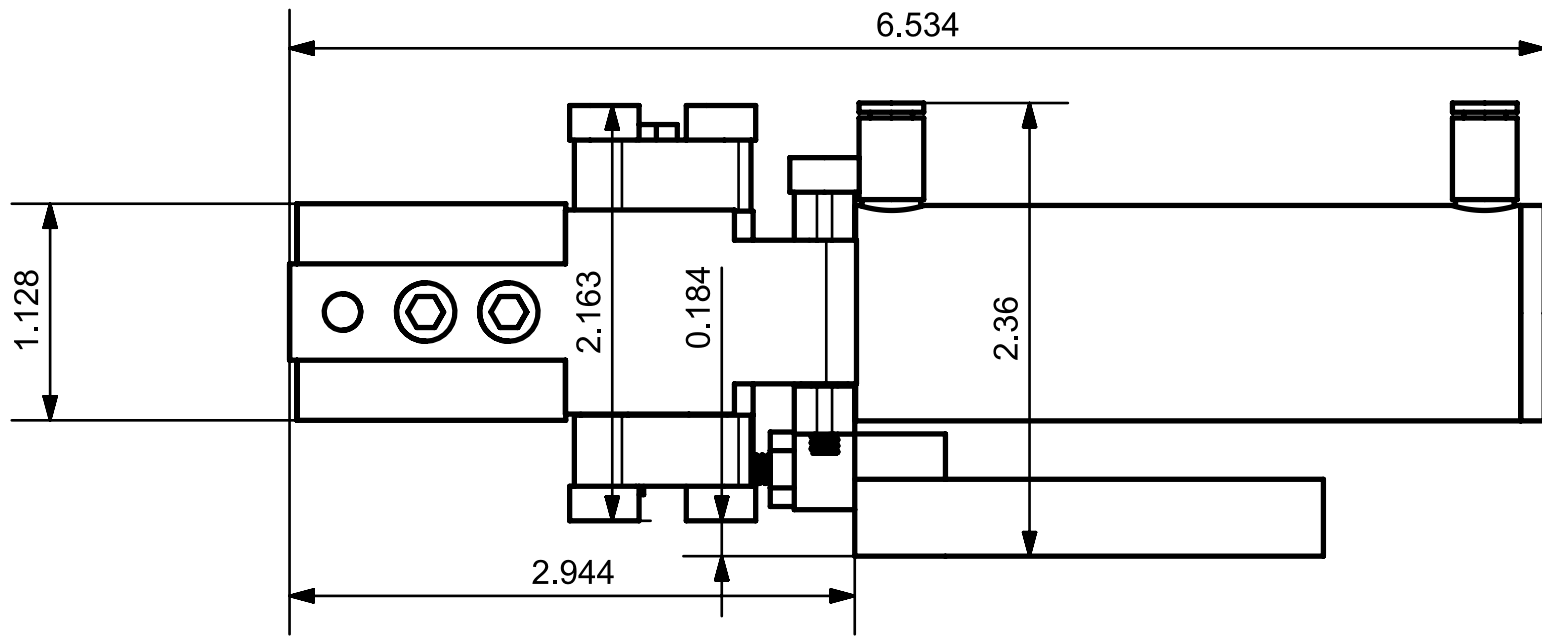
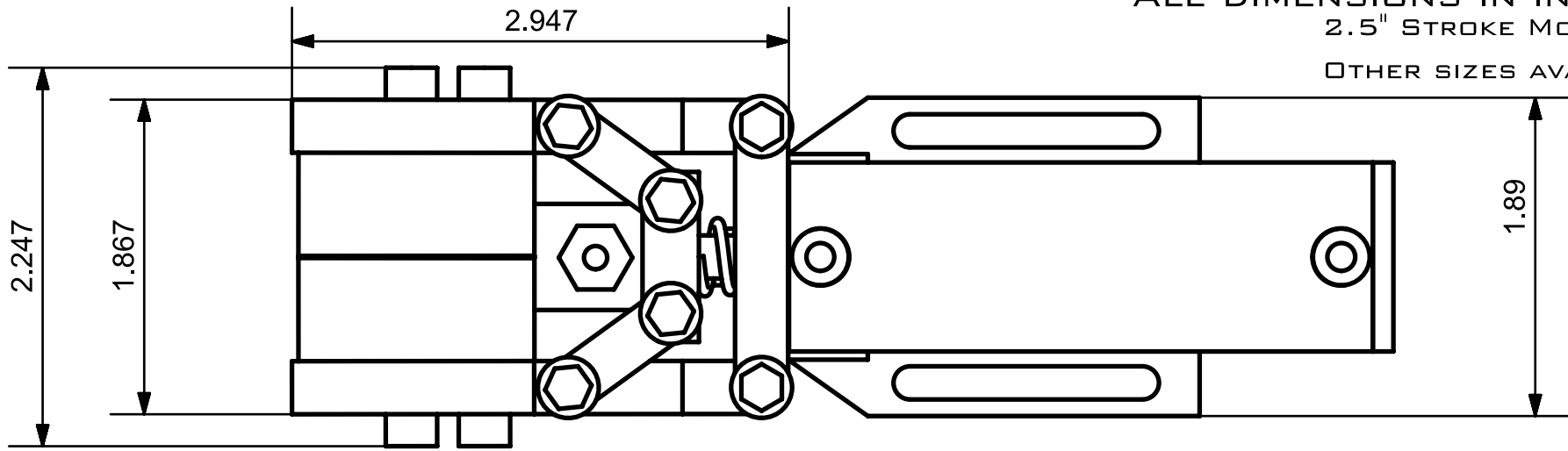


1 2 3 4 5 6

ALL DIMENSIONS IN INCHES
2.5" STROKE MODEL
OTHER SIZES AVAILABLE



CARCO INC.

WWW.CARCOUSA.COM

DETROIT, MICHIGAN

(313) 925-9000 SALES@CARCOUSA.NET

CAD DRAWING

MODEL	ES-2618-F44
DATE	JULY 19, 2022
DRAWN BY	NICKLAS ODA
TITLE	LTU ENG. INTERN

1 2 3 4 5 A